

# Kidde Fire Systems Natura™ Inert Gas System Component Description



Effective: March 2022  
K-38-2600 Rev AD

## Fill Adapter

### FEATURES

- For Approvals, see the “COMPATIBILITY” table.
- REACH and RoHS compliant

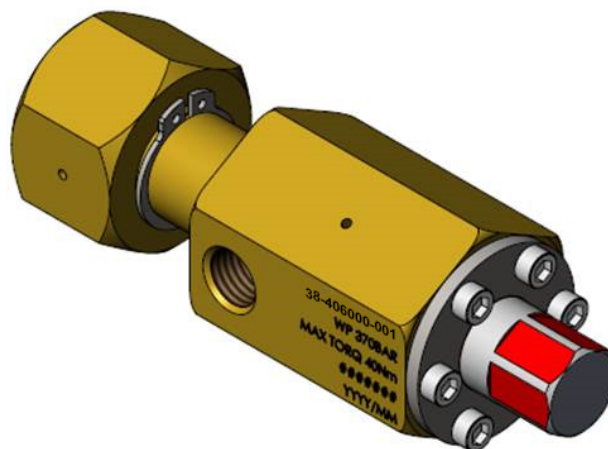
### DESCRIPTION

Use the fill adapter (P/N 38-406000-001) when filling the cylinder/valve assemblies. The adapter is attached to the cylinder valve gauge port during cylinder charging. For fill instructions, see the Design, Installation, Operation, and Maintenance manual.

**Note:** Spare O-rings (P/N 38-406000-003) are available for the filling adapter.

### SPECIFICATIONS

Body Material: Brass  
Weight: 2.2 lbs (1 kg)



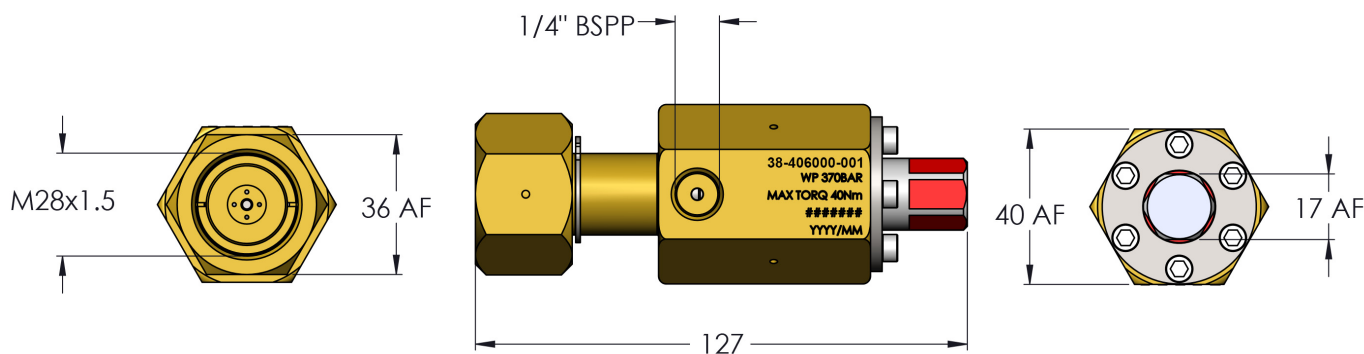
### COMPATIBILITY

Series	DIOM P/N	Approvals*
Natura™ Inert Gas System	06-237619-001	FM, UL
Natura™ Inert Gas System	06-237598-001	LPCB

\* For additional listings, contact Kidde Fire Systems

### ORDERING INFORMATION

Part Number	Description
38-406000-001	Filling Adapter Assembly
38-406000-003	Spare O-Ring for Filling Adapters



### EXPORT INFORMATION (USA)

Jurisdiction: EAR  
Classification: EAR99  
This document contains technical data subject to the EAR.

All trademarks are property of their respective owners.  
©2022 Carrier

This literature is provided for informational purposes only. KIDDE-FENWAL, INC. believes this data to be accurate, but it is published and presented without any guarantee or warranty whatsoever. KIDDE-FENWAL, INC. assumes no responsibility for the product's suitability for a particular application. Product features specified are only applicable when the fire suppression system is correctly designed, installed, maintained and serviced by trained, authorized Kidde Fire Systems distributors as per the applicable design, installation, operation, and maintenance manuals. If you need more information on this product, or if you have a particular problem or question, contact: KIDDE-FENWAL, INC., Ashland, MA 01721 USA, Telephone: (508) 881-2000.

Kidde Fire Systems  
400 Main Street  
Ashland, MA 01721  
Ph: 508.881.2000  
Fax: 508.881.8920  
[kiddefiresystems.com](http://kiddefiresystems.com)